

Calf Milk Pasteurizer

Simple Operation, Easy to Clean, Proven Dependability
“Batch Style” no clogging or build-up



Benefits of the CMP2000 Batch Style Calf Milk Pasteurizer:

- ✓ Delayed programming for “One Touch” operation, Fully automatic
- ✓ Low cost - high quality feed for calves
- ✓ Easy to operate, maintain, and clean (all welds are ground and polished)
- ✓ No plugged tubes or clogged plates
- ✓ Can pasteurize colostrum
- ✓ Industrial water tight control system
- ✓ Easy/ low cost installation – no boiler or chiller needed
- ✓ Complete agitation of milk during the heating and cool-down process
- ✓ Easily accessible replacement parts
- ✓ All stainless steel construction
- ✓ One complete unit – cools and heats milk in the same tank
- ✓ Made in Wisconsin

The CMP2000 Pasteurizer has been tested and proven to reduce harmful pathogens/bacteria’s such as:

- ✓ Mycobacterium Para tuberculosis (Johne’s)
- ✓ Mycoplasma
- ✓ Bovine Viral Diarrhea (BVD)
- ✓ E-Coli
- ✓ Salmonella

Installation/operation procedures:

- 1) Hook-up electricity, hot and cold water hoses, and water discharge hose.
- 2) Program/set - cool down/holding temperature, feeding temperature, and pasteurize start time.
- 3) Fill tank with milk, push the start button
- 4) Return at feeding time, push the “F-1” button to clear pasteurize complete screen
- 5) Visually check feeding temp, open valve to unload pasteurized milk
- 6) Rinse out tank, perform washing procedures

Overview

- ❖ Programmable cooling and pasteurize step for “one touch” operation
- ❖ Cools fresh milk down to well water temperature
- ❖ Heats milk to 145 degrees F.
- ❖ Holds milk at that temperature for 30 minutes
- ❖ Cools it back down to the desired temperature for feeding
- ❖ Can store and reheat milk for second feeding if needed
- ❖ Chart recorder and fully automatic washer can be installed as an option

Each unit consists of the following:

- ❖ Insulated Stainless Steel tank with agitator and outlet valve.
- ❖ Water tight control panel with industrial programmable controls.
- ❖ RTD temperature probe for milk temperature reading.
- ❖ Milk load out/CIP pump, connecting hoses, and spray ball.

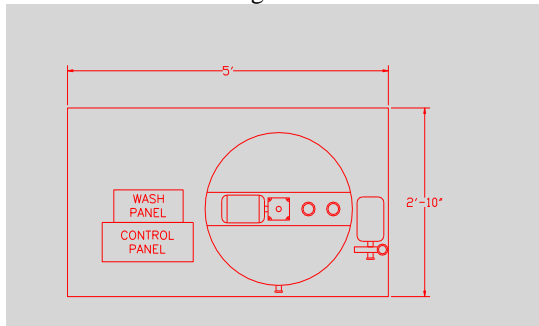
Available sizes:

Single unit - 40, 60, 100, 120, 135 gallon *50 to 80 amps

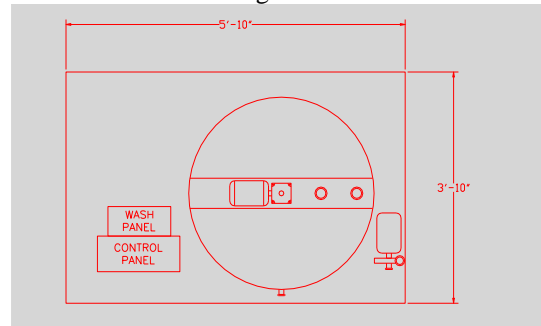
Dual unit – 120, 200, 270 gallon *100 to 150 amps

Dual unit (Colostrum)– 100/40, 120/40, 135/40 gallon *100 to 125 amps

40 - 60 gallon unit



100 - 135 gallon unit



200 - 270 gallon dual unit

